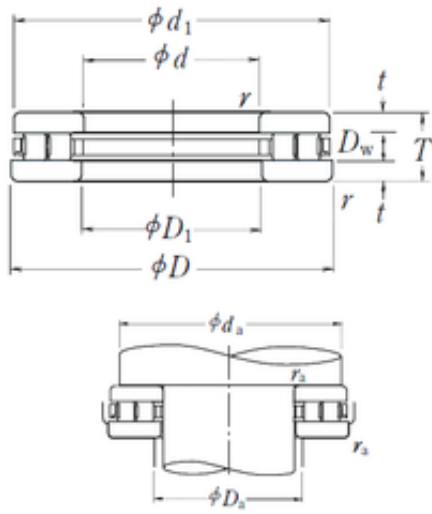




PFG BEARING LIMITED



280TMP12 NSK THRUST CYLINDRICAL ROLLER BEARING

Bearing No. 280TMP12

Size	280x380x80 mm
Bore Diameter	280 mm
Outer Diameter	380 mm
Width	80 mm
d	280 mm
D	380 mm
hidYobi	280TMP12
LangID	1
D_	380
C	1050
B_	80
hidTable	ecat_NSCRT
Oil rpm	800
mass	27.2
d1	375
GRS rpm	260
ra	2
D_a	296
C0	4750
D_1	284
Prod_Type3	TB_TCRB_A
da	362
DA_	32
Z_	24
Dw	32

280TMP12 Bearing 2D drawings and 3D CAD models



PFG BEARING LIMITED

yobi	280TMP12
RAC	140
t	24
r	2.1
T_	80
KBRG	4614