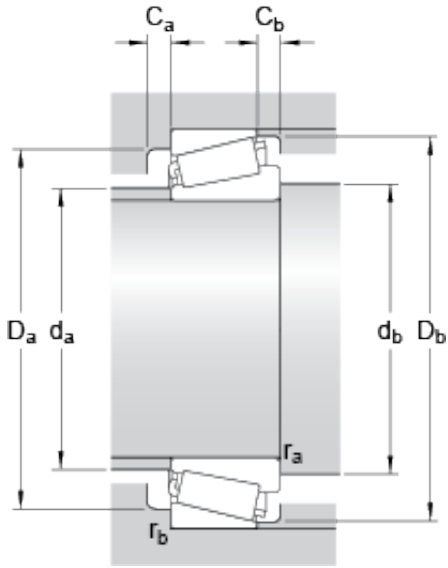




# PFG BEARING LIMITED



100 mm x 180 mm x 46 mm skf 32220 bearing

Bearing No. 32220

32220 Bearing 2D drawings and 3D CAD models

Dimension series	3FC
d	100 mm
D	180 mm
T	49 mm
d <sub>1</sub>	136.48 mm
B	46 mm
C	39 mm
r <sub>1,2</sub> min.	3 mm
r <sub>3,4</sub> min.	2.5 mm
a	40.981 mm
d <sub>a</sub> max.	115 mm
d <sub>b</sub> min.	113.5 mm
D <sub>a</sub> min.	154 mm
D <sub>a</sub> max.	168.5 mm
D <sub>b</sub> min.	171 mm
C <sub>a</sub> min.	5 mm
C <sub>b</sub> min.	10 mm
r <sub>a</sub> max.	3 mm
r <sub>b</sub> max.	2.5 mm
Basic dynamic load rating C	390 kN
Basic static load rating C <sub>0</sub>	440 kN
Fatigue load limit P <sub>u</sub>	48 kN
Reference speed	3000 r/min
Limiting speed	3600 r/min
Calculation factor e	0.43
Calculation factor Y	1.4



## PFG BEARING LIMITED

Calculation factor $Y_0$	0.8
Mass bearing	4.93 kg