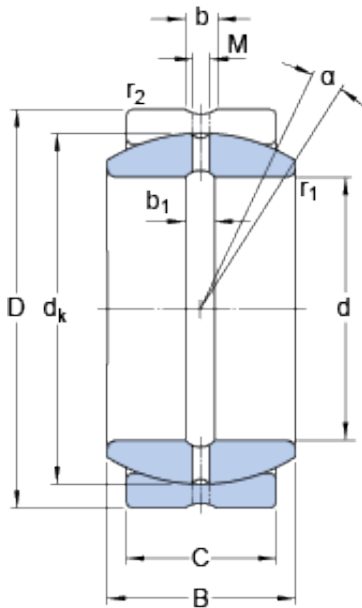




# PFG BEARING LIMITED

70 mm x 105 mm x 49 mm skf ge 70 es bearing

Bearing No. ge 70 es



ge 70 es Bearing 2D drawings and 3D CAD models

Size	105x70x49 mm
Bore Diameter	105 mm
Outer Diameter	70 mm
Width	49 mm
d	70 mm
D	105 mm
B	49 mm
C	40 mm
	6 °
d <sub>k</sub>	92 mm
b	7.7 mm
b <sub>1</sub>	7.7 mm
M	4 mm
r <sub>1</sub> - min.	1 mm
r <sub>2</sub> - min.	1 mm
d <sub>a</sub> - min.	76.7 mm
d <sub>a</sub> - max.	77.9 mm
D <sub>a</sub> - min.	87.4 mm
D <sub>a</sub> - max.	99 mm
r <sub>a</sub> - max.	1 mm
r <sub>b</sub> - max.	1 mm
Basic dynamic load rating - C	315 kN
Basic static load rating - C <sub>0</sub>	1560 kN
Specific factor dinamic load - K	100 N/mm <sup>2</sup>



## PFG BEARING LIMITED

Specific factor static load - $K_0$	500 N/mm <sup>2</sup>
Constant - $K_M$	330
Category	Spherical Plain Bearings - Radial
Inventory	0.0
Manufacturer Name	SKF
Minimum Buy Quantity	N/A
Weight / Kilogram	1.55
Product Group	B04286
Self Aligning	Yes
Rolling Element	Spherical Plain
Material - Outer Member	Steel
Material - Ball	Steel
Material - Liner	Not Applicable
Relubricatable	Yes
Enclosure	Open
Other Features	2 Piece   Lubrication Hole and an Annular Groove in Both Rings
Long Description	70MM Bore; 40MM Housing Width; 105MM Outside Diameter; Spherical Plain; Steel Outer Member; Steel Ball; No Liner; 49MM Overall Width; Relubricatable
Inch - Metric	Metric
Category	Plain Bearings Spherical Radial
UNSPSC	31171515
Harmonized Tariff Code	8483.30.80.70
Noun	Bearing
Keyword 3	Spherical
Keyword String	Plain Spherical Radial



## PFG BEARING LIMITED

Manufacturer URL	<a href="http://www.skf.com">http://www.skf.com</a>
Manufacturer Item Number	GE 70 ES
Weight / LBS	3.417
Bore	2.756 Inch   70 Millimeter
Outside Diameter	4.134 Inch   105 Millimeter
Overall Width	1.929 Inch   49 Millimeter
Housing Width	1.575 Inch   40 Millimeter
bore diameter:	70 mm
inner ring material:	Chrome Steel
outside diameter:	105 mm
outer ring width:	40 mm
misalignment angle:	6 °
grade:	Commercial/Industrial
inner ring width:	49 mm
radial static load capacity:	1560 kN
bearing type:	Radial
radial dynamic load capacity:	315 kN
lubrication type:	Requires Lubrication
operating temperature range:	-50 to +200 ° C ° F
closure type:	Open
overall width:	49 mm
outer ring material:	Chrome Steel
manufacturer upc number:	7316576609442
Lubricant	Regular relubrication – grease
Design (sliding contact surface combination)	Steel/steel
Sealing solution	-
	6 °
d <sub>k</sub>	92 mm
b <sub>1</sub>	7.7 mm



## PFG BEARING LIMITED

$r_1$ min.	1 mm
$r_2$ min.	1 mm
$d_a$ min.	76.7 mm
$d_a$ max.	77.9 mm
$D_a$ min.	87.4 mm
$D_a$ max.	99 mm
$r_a$ max.	1 mm
$r_b$ max.	1 mm
Basic dynamic load rating C	315 kN
Basic static load rating $C_0$	1560 kN
Specific dynamic load factor K	100 N/mm <sup>2</sup>
Specific static load factor $K_0$	500 N/mm <sup>2</sup>
Material constant $K_M$	330
Mass plain bearing	1.55 kg